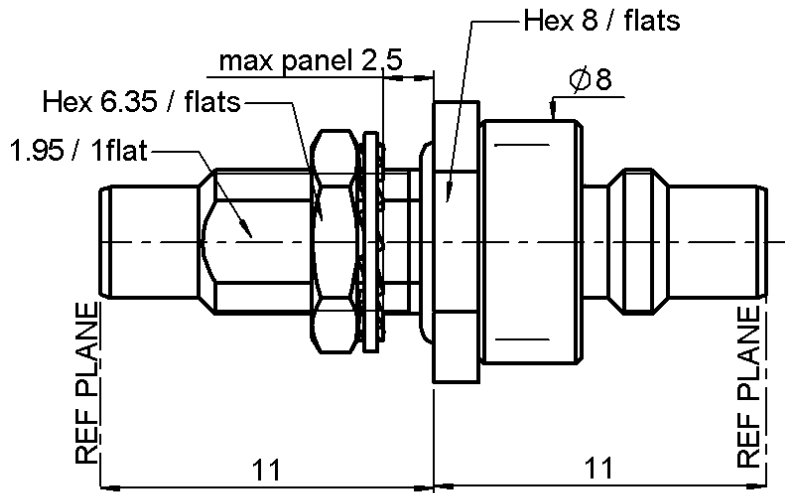


MALE-MALE HERMETIC ADAPTOR

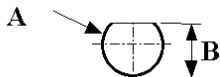
R112.753.000

BULKHEAD PANEL SEAL

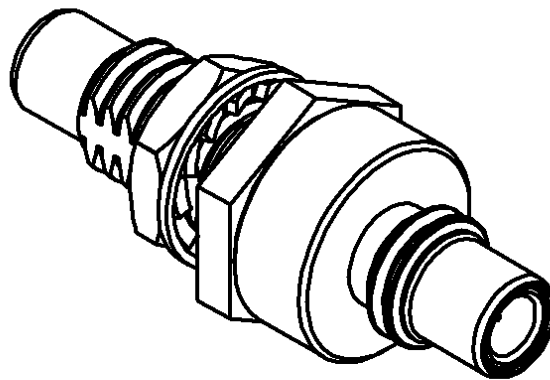
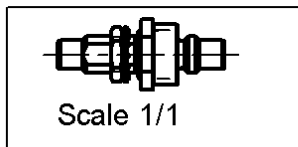
Series : SMC



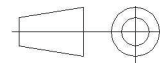
PANEL CUT OUT



| mm | | |
|----|------|------|
| | Maxi | mini |
| A | 5 | 4.9 |
| B | 4.58 | 4.46 |



All dimensions are in mm.



| COMPONENTS | MATERIALS | PLATINGS (µm) |
|----------------|---------------------|------------------------|
| BODY | BRASS | GOLD 0.2 OVER NICKEL 2 |
| CENTER CONTACT | BRASS | GOLD 1.3 OVER NICKEL 2 |
| OUTER CONTACT | - | - |
| INSULATOR | PTFE+GLASS BEAD | - |
| GASKET | FLUOROCARBON RUBBER | - |
| OTHERS PARTS | BRASS | GOLD 0.2 OVER NICKEL 2 |
| - | - | - |
| - | - | - |

Issue : 0421 N

In the effort to improve our products, we reserve the right to make changes judged to be necessary.



MALE-MALE HERMETIC ADAPTOR

R112.753.000

BULKHEAD PANEL SEAL

Series : SMC

PACKAGING

SPECIFICATION

| Standard | Unit | Other |
|------------|-------------------|-------------------|
| 100 | 'W' option | Contact us |

ELECTRICAL CHARACTERISTICS

ENVIRONMENTAL

| | | |
|---------------------------------|--------------|------------------------------|
| Impedance | | 50 Ω |
| Frequency | | 0-10 GHz |
| VSWR | 1.2 + | 0.040 x F(GHz) Maxi |
| Insertion loss | | 0.125 √F(GHz) dB Maxi |
| RF leakage | - (| 62 - F(GHz)) dB Maxi |
| Voltage rating | | 335 Veff Maxi |
| Dielectric withstanding voltage | | 1000 Veff mini |
| Insulation resistance | | 1000 MΩ mini |

| | |
|-----------------------|-----------------------|
| Operating temperature | -65/+165 ° C |
| Hermetic seal | 10-6 Atm.cm3/s |
| Panel leakage | NA |

OTHERS CHARACTERISTICS

Assembly instruction **NA**

Others :
-

MECHANICAL CHARACTERISTICS

| | | |
|----------------------------|--|------------------------|
| Center contact retention | | |
| Axial force – Mating end | | 10 N mini |
| Axial force – Opposite end | | 10 N mini |
| Torque | | NA N.cm mini |
| Recommended torque | | |
| Mating | | 30 N.cm |
| Panel nut | | 60 N.cm |
| Mating life | | 500 Cycles mini |
| Weight | | 0.000 g |

Issue : 0421 N

In the effort to improve our products, we reserve the right to make changes judged to be necessary.

